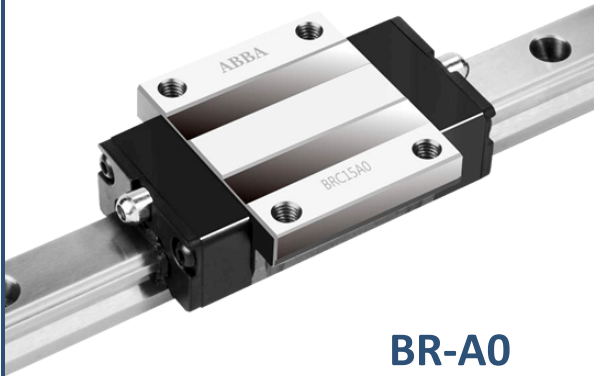


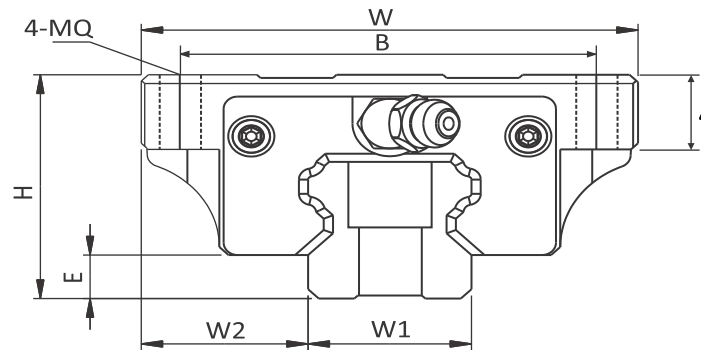
BRC-A0/LA , BRD-A0/LA



BR-A0



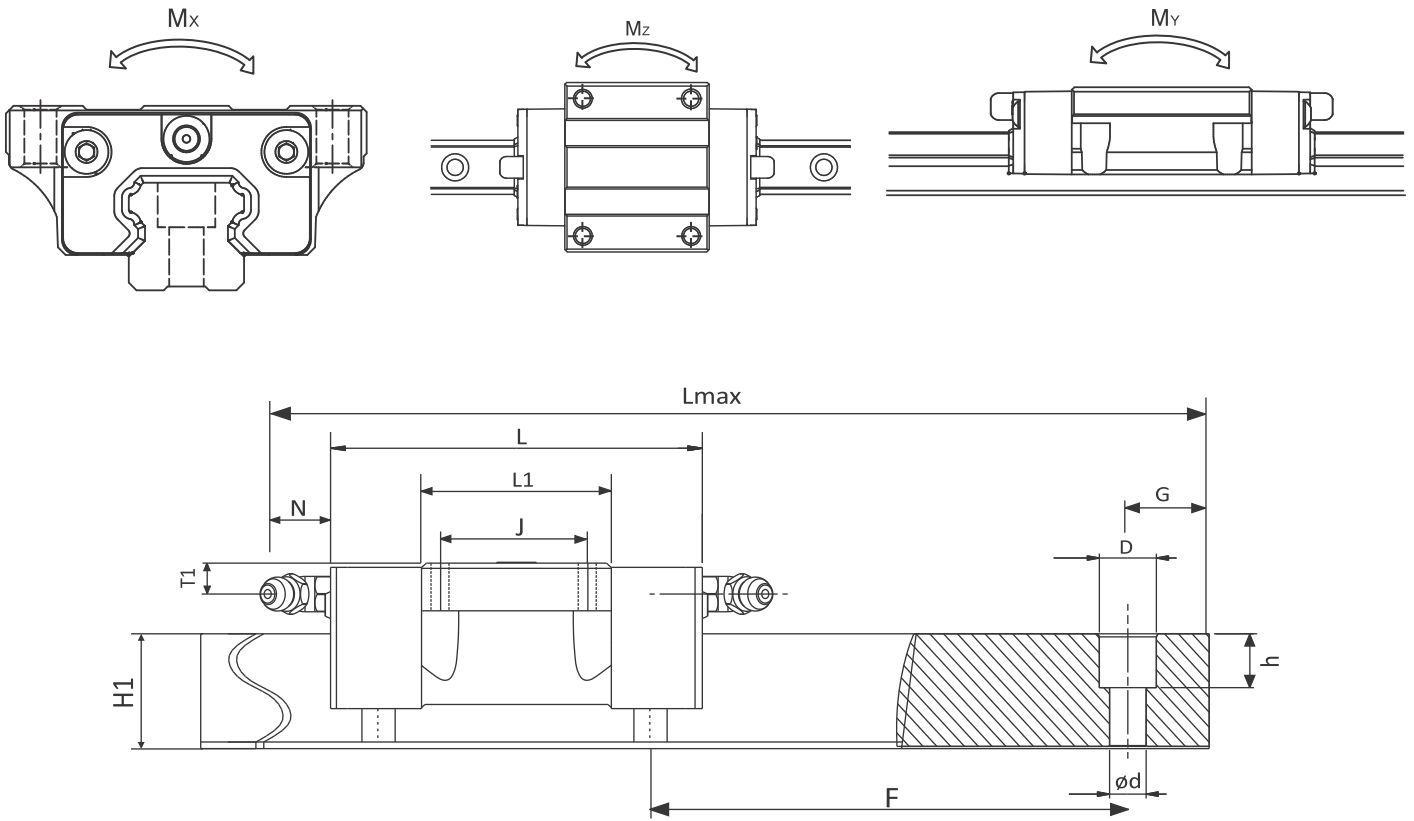
BR-LA



کد UIC	Assembly (mm)				BR block (mm)							BR rail (mm)				قیمت	
	H	W	W2	E	L	BxJ	MQxL	L1	Oil hole	T1	(N)	W1	H1	F	dxDxh	دلار	تومان
BRC 15A0	24	47	16	4.6	66	38x30	M5x8	40	∅ 3	4.3	5	15	14	60	4.5x7.5x5.8		
BRD 15A0	24	47	16	4.6	56	38x30	M5x8	40	M6x1	4.3	5	15	14	60	4.5x7.5x5.8		
BRC 20A0	30	63	21.5	5	77.8	53x40	M6x9	48.8	M6x1	7	15.6	20	18	60	6x9.5x9.0		
BRD 20A0	30	63	21.5	5	67.8	53x40	M6x9	48.8	M6x1	7	15.6	20	18	60	6x9.5x9.0		
BRC 20LA	30	63	21.5	5	92.4	53x40	M6x9	63.4	M6x1	7	15.6	20	18	60	6x9.5x9.0		
BRD 20LA	30	63	21.5	5	82.4	53x40	M6x9	63.4	M6x1	7	15.6	20	18	60	6x9.5x9.0		
BRC 25A0	36	70	23.5	7	88	57x45	M8x12	57	M6x1	7.8	15.6	23	22	60	7x11x9.5		
BRD 25A0	36	70	23.5	7	78	57x45	M8x12	57	M6x1	7.8	15.6	23	22	60	7x11x9.5		
BRC 25LA	36	70	23.5	7	110.1	57x45	M8x12	79.1	M6x1	7.8	15.6	23	22	60	7x11x9.5		
BRD 25LA	36	70	23.5	7	100.1	57x45	M8x12	79.1	M6x1	7.8	15.6	23	22	60	7x11x9.5		
BRC 30A0	42	90	31	9	109	72x52	M10x12	72	M6x1	7	15.6	28	26	80	9x14x12.5		
BRD 30A0	42	90	31	9	99	72x52	M10x12	72	M6x1	7	15.6	28	26	80	9x14x12.5		
BRC 30LA	42	90	31	9	131.3	72x52	M10x12	94.3	M6x1	7	15.6	28	26	80	9x14x12.5		
BRD 30LA	42	90	31	9	121.3	72x52	M10x12	94.3	M6x1	7	15.6	28	26	80	9x14x12.5		
BRD 35A0	48	100	33	9.5	109	82x62	M10x13	80	M6x1	8	15.6	34	29	80	9x14x12.5		
BRD 35LA	48	100	33	9.5	134.8	82x62	M10x13	105.8	M6x1	8	15.6	34	29	80	9x14x12.5		
BRD 45A0	60	120	37.5	14	138.2	100x80	M12x15	105	M8x1	8.5	16	45	38	105	14x20x17.5		
BRD 45LA	60	120	37.5	14	163	100x80	M12x15	129.8	M8x1	8.5	16	45	38	105	14x20x17.5		



BRC-A0/LA , BRD-A0/LA



ULS كد	Ref.Data (mm)		Basic Load Rating (kgf)		Static Moment (kgf*m)			Weight	
	Lmax	G	C	CO	Mx	My	Mz	Block (kg)	Rail (kg/m)
BRC 15A0	4000	20	850	1350	10.1	6.8	6.8	0.21	1.4
BRD 15A0	4000	20	850	1350	10.1	6.8	6.8	0.21	1.4
BRC 20A0	4000	20	1400	2400	24	14.6	14.6	0.4	2.6
BRD 20A0	4000	20	1400	2400	24	14.6	14.6	0.4	2.6
BRC 20LA	4000	20	1650	3000	30	23.8	23.8	0.52	2.6
BRD 20LA	4000	20	1650	3000	30	23.8	23.8	0.52	2.6
BRC 25A0	4000	20	1950	3200	36.8	22.8	22.8	0.57	3.6
BRD 25A0	4000	20	1950	3200	36.8	22.8	22.8	0.57	3.6
BRC 25LA	4000	20	2600	4600	52.9	45.5	45.5	0.72	3.6
BRD 25LA	4000	20	2600	4600	52.9	45.5	45.5	0.72	3.6
BRC 30A0	4000	20	2850	4800	67.2	43.2	43.2	1.1	5.2
BRD 30A0	4000	20	2850	4800	67.2	43.2	43.2	1.1	5.2
BRC 30LA	4000	20	3600	6400	89.6	75.4	75.4	1.4	5.2
BRD 30LA	4000	20	3600	6400	89.6	75.4	75.4	1.4	5.2
BRD 35A0	4000	20	3850	6200	105.4	62	62	1.6	7.2
BRD 35LA	4000	20	4800	8300	141.1	109.8	109.8	2	7.2
BRD 45A0	4000	22.5	6500	10500	236.3	137.8	137.8	2.7	12.3
BRD 45LA	4000	22.5	7700	13000	292.5	210.9	210.9	3.6	12.3

